

OUTDOOR LED LIGHTING

SURIA/SL

EY628- P & E

LED STREET LIGHT

EYELITE



CBCCE

Public Roadway, Kedah, Malaysia

EY628- 30W • 50W • 60W • 70W • 75W

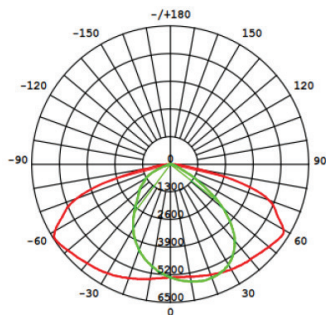
EY628- 80W • 90W • 100W • 120W • 130W

EY628- 120W • 135W • 150W • 170W • 180W

PRODUCT FEATURES

- The high lumen output LED array, provides even lighting distribution.
- Streamline & smooth surface lamp housing, prevent dust & dirt deposition on top.
- Tool-less access to gear compartment for easy maintenance.
- ADC 12 high pressure die-cast aluminium body construction for strength and durability.
- The IP66 rated sealed fixtures protect it from ingress of water and dust in harsh outdoor environment.
- High efficiency with trusted and reliable LED components.

PHOTOMETRY/BEAM ANGLE



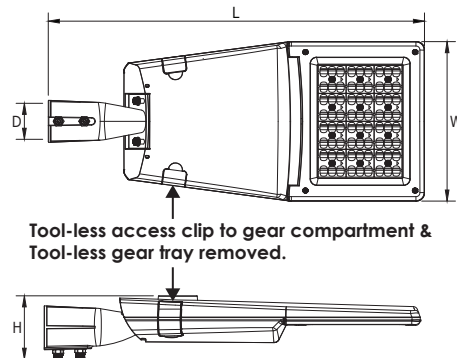
Type II

*Type I & other beam available upon request.

Note : Above content subject to change without prior notice

PRODUCT DIMENSION

*Typical dimension in mm



MOUNTING TYPE

Post Top



Side Entry



- Interchangeable spigot mounting position.
- Allowable tilt 0° to +15° with 5° tilt.

MODEL NO.	EY628-30W-P		EY628-50W-P		EY628-60W-P		EY628-70W-P		EY628-75W-P	
Power Consumption ±5% (W)	30W		50W		60W		70W		75W	
	at 6000K	at 3000K	at 6000K	at 3000K	at 6000K	at 3000K	at 6000K	at 3000K	at 6000K	at 3000K
Luminaire Flux ±5% (lm)	4,933	4,676	7,059	7,457	9,493	9,000	10,878	10,298	11,529	10,919
System Efficacy ±5% (lm/W)	153	145	150	142	151	143	150	142	151	143
Power Factor (PF)	0.99		0.98		0.98		0.98		0.98	
LED Quantity	18		36		36		36		36	
Spigot Mounting Hole, D (mm)	50/60*		50/60*		50/60*		50/60*		50/60*	
Net Weight (kg)	3.45		3.52		3.61		3.61		3.61	
Gross Weight (kg)	4.05		4.12		4.21		4.21		4.21	
Product Dimension, L x W x H (mm)	569 x 230 x 108									
Carton Dimension, L x W x H (mm)	610 x 283 x 175									
CBM (m ³)	0.030									

MODEL NO.	EY628-80W-P		EY628-90W-P		EY628-100W-P		EY628-120W-P		EY628-130W-P	
Power Consumption ±5% (W)	80W		90W		100W		120W		130W	
	at 6000K	at 3000K	at 6000K	at 3000K	at 6000K	at 3000K	at 6000K	at 3000K	at 6000K	at 3000K
Luminaire Flux ±5% (lm)	12,690	12,031	13,770	13,050	16,557	15,719	19,080	18,120	20,540	19,500
System Efficacy ±5% (lm/W)	154	146	153	145	158	154	159	151	158	150
Power Factor (PF)	0.97		0.98		0.96		0.98		0.98	
LED Quantity	48		48		72		72		72	
Spigot Mounting Hole, D (mm)	60		60		60		60		60	
Net Weight (kg)	5.40		5.40		5.47		5.67		5.67	
Gross Weight (kg)	6.25		6.25		6.32		6.52		6.52	
Product Dimension, L x W x H (mm)	679 x 288 x 111									
Carton Dimension, L x W x H (mm)	730 x 335 x 175									
CBM (m ³)	0.043									

MODEL NO.	EY628-120WL-P		EY628-135W-P		EY628-150W-P		EY628-170W-P		EY628-180W-P	
Power Consumption ±5% (W)	120W		135W		150W		170W		180W	
	at 6000K	at 3000K	at 6000K	at 3000K	at 6000K	at 3000K	at 6000K	at 3000K	at 6000K	at 3000K
Luminaire Flux ±5% (lm)	20,706	19,678	21,330	20,250	25,328	24,108	25,500	24,140	26,922	25,467
System Efficacy ±5% (lm/W)	161	160	158	150	166	158	150	142	148	140
Power Factor (PF)	0.98		0.98		0.98		0.98		0.98	
LED Quantity	96		96		96		96		96	
Spigot Mounting Hole, D (mm)	60		60		60		60		60	
Net Weight (kg)	7.53		7.53		7.53		7.68		7.68	
Gross Weight (kg)	8.54		8.54		8.54		8.78		8.78	
Product Dimension, L x W x H (mm)	752 x 308 x 113									
Carton Dimension, L x W x H (mm)	795 x 356 x 175									
CBM (m ³)	0.050									

Note 1: The above specified lumen and system efficiency are based on standard CCT: 6000K & 3000K, CRI: RA70

Note 2: * Spigot size available for selection, and only one default size stock available for certain ASEAN region, check with other local reseller

MODEL NO.	EY628-30W-E		EY628-50W-E		EY628-60W-E		EY628-70W-E		EY628-75W-E	
Power Consumption ±5% (W)	30W		50W		60W		70W		75W	
	at 6000K	at 3000K	at 6000K	at 3000K	at 6000K	at 3000K	at 6000K	at 3000K	at 6000K	at 3000K
Luminaire Flux ±5% (lm)	4,200	4,050	7,500	7,250	8,640	8,340	9,800	9,450	10,350	9,975
System Efficacy ±5% (lm/W)	140	135	150	145	144	139	140	135	138	133
Power Factor (PF)	0.91		0.96		0.96		0.96		0.96	
LED Quantity	36		72		72		72		72	
Spigot Mounting Hole, D (mm)	50/60*		50/60*		50/60*		50/60*		50/60*	
Net Weight (kg)	3.25		3.32		3.41		3.41		3.41	
Gross Weight (kg)	3.95		3.98		4.01		4.01		4.01	
Product Dimension, L x W x H (mm)	569 x 230 x 108									
Carton Dimension, L x W x H (mm)	610 x 283 x 175									
CBM (m ³)	0.030									

MODEL NO.	EY628-80W-E		EY628-90W-E		EY628-100W-E		EY628-120W-E		EY628-130W-E	
Power Consumption ±5% (W)	80W		90W		100W		120W		130W	
	at 6000K	at 3000K	at 6000K	at 3000K	at 6000K	at 3000K	at 6000K	at 3000K	at 6000K	at 3000K
Luminaire Flux ±5% (lm)	10,640	10,000	12,870	12,420	14,900	14,400	17,280	16,680	15,860	14,820
System Efficacy ±5% (lm/W)	133	125	143	138	149	144	144	139	122	114
Power Factor (PF)	0.96		0.96		0.97		0.96		0.96	
LED Quantity	96		96		144		144		144	
Spigot Mounting Hole, D (mm)	60		60		60		60		60	
Net Weight (kg)	5.20		5.20		5.27		5.47		5.47	
Gross Weight (kg)	6.05		6.05		6.12		6.32		6.32	
Product Dimension, L x W x H (mm)	679 x 288 x 111									
Carton Dimension, L x W x H (mm)	730 x 335 x 175									
CBM (m ³)	0.043									

MODEL NO.	EY628-120WL-E		EY628-135W-E		EY628-150W-E		EY628-170W-E		EY628-180W-E	
Power Consumption ±5% (W)	120W		135W		150W		170W		180W	
	at 6000K	at 3000K	at 6000K	at 3000K	at 6000K	at 3000K	at 6000K	at 3000K	at 6000K	at 3000K
Luminaire Flux ±5% (lm)	18,600	18,000	17,280	16,200	22,350	21,600	20,910	19,550	26,280	25,380
System Efficacy ±5% (lm/W)	155	150	128	120	149	144	123	115	146	141
Power Factor (PF)	0.96		0.96		0.97		0.96		0.96	
LED Quantity	192		192		192		192		192	
Spigot Mounting Hole, D (mm)	60		60		60		60		60	
Net Weight (kg)	7.33		7.33		7.33		7.48		7.48	
Gross Weight (kg)	8.34		8.34		8.34		8.58		8.58	
Product Dimension, L x W x H (mm)	752 x 308 x 113									
Carton Dimension, L x W x H (mm)	795 x 356 x 175									
CBM (m ³)	0.050									

Note: The above specified lumen and system efficiency are based on standard CCT: 6000K & 3000K, CRI:RA70
 Note 2: * Spigot size available for selection, and only one default size stock available for certain ASEAN region

TECHNICAL SPECIFICATION

PREMIUM VERSION **P**ELECTRICAL SYSTEM 

- **Input Voltage** : 100 - 240Vac, 50/60Hz
- **Insulation Class** : Class I
- **LED Driver** : **Inventronic EUM IP67**
- **3in1 (Dimmable)** : MOSO X6 IP67 (Alternative)
- **Surge Protection** : I_{max} 20 kA (40kV) (Built-in)

LIGHT SOURCE / OPTIC 

- **LED Type** : **SMD 5050** with TM21 and LM80
- **Color Temperature (CCT)** : Standard 3000K/6000K (others upon request)
- **Color Rendering Index (CRI)** : Ra > 70 (Other upon request)
- **Life Time Residual Flux** : (L80), >50,000 hours @ Ta : 45°
- **Optical System** : PC Lens with Tempered Glass Cover
- **Working Temperature** : Ta : -30°C to +45°C

FIXTURE/HOUSING  

- **Ingress Protection (IP)** : IP66
- **Impact Resistance (IK)** : IK09
- **Housing Material** : ADC 12 Die-Cast Aluminium
- **Housing Finish** : Akzo Nobel Powder Coating - RAL 7005 Grey

COMPLIANCE 

- **Type Test Certified (Luminaire)** : IEC 60598-1, IEC 60598-2-3
- **EMC Certified** : EN 55015, EN 61547
- **LED Compliances Test** : IESNA LM-79, LM-80 & TM-21
- **Luminaire Performance** : IEC 62722-1, IEC 62722-2-1
- **SIRIM PCS** : PC004404 (Malaysia Only)
- **SIJIL EMAL (JKR)** : EE0220012/23/04/09
EE022009/23/04/15
EE0220012/23/04/10
EE022009/23/04/16
- **Ingress Protection Test** : IEC 60529 (**IP66**)
- **Impact Resistance Test** : IEC 62262 (**IK09**)
- **RoHS** : IEC 62321

OPTIONAL FEATURES/ACCESSORIES

- NEMA Photocell / Shorting Cap
- IoT Smart System (NEMA / Zhaga)

APPLICATION

- Road & Highway • Urban Road & Streets • Residential Streets
- Car Parks • Parks • Riverside • Jogging Track

ECONOMIC VERSION **E**ELECTRICAL SYSTEM 

- **Input Voltage** : 100 - 240Vac, 50/60Hz
- **Insulation Class** : Class I
- **LED Driver** : **DONE MXG IP67**
- **3in1 (Dimmable)** : MOSO X6 IP67 (Alternative)
- **Surge Protection** : I_{max} 20 kA (40kV) (Built-in)

LIGHT SOURCE / OPTIC 

- **LED Type** : **SMD 3030** with TM21 and LM80
- **Color Temperature (CCT)** : Standard 3000K/6000K (others upon request)
- **Color Rendering Index (CRI)** : Ra > 70 (Other upon request)
- **Life Time Residual Flux** : (L80), >50,000 hours @ Ta : 45°
- **Optical System** : PC Lens with Tempered Glass Cover
- **Working Temperature** : Ta : -30°C to +45°C

FIXTURE/HOUSING  

- **Ingress Protection (IP)** : IP66
- **Impact Resistance (IK)** : IK09
- **Housing Material** : ADC 12 Die-Cast Aluminium
- **Housing Finish** : Akzo Nobel Powder Coating - RAL 7005 Grey

COMPLIANCE 

- **Type Test Certified (Luminaire)** : IEC 60598-1, IEC 60598-2-3
- **EMC Certified** : EN 55015, EN 61547
- **LED Compliances Test** : IESNA LM-79, LM-80 & TM-21
- **Luminaire Performance** : IEC 62722-1, IEC 62722-2-1
- **SIRIM PCS** : PC004404 (Malaysia Only)
- **SIJIL EMAL (JKR)** : EE0220012/23/04/09
EE022009/23/04/15
EE0220012/23/04/10
EE022009/23/04/16
- **Ingress Protection Test** : IEC 60529 (**IP66**)
- **Impact Resistance Test** : IEC 62262 (**IK09**)
- **RoHS** : IEC 62321

OPTIONAL FEATURES/ACCESSORIES

- NEMA Photocell / Shorting Cap
- IoT Smart System (NEMA / Zhaga)

APPLICATION

- Road & Highway • Urban Road & Streets • Residential Streets
- Car Parks • Parks • Riverside • Jogging Track